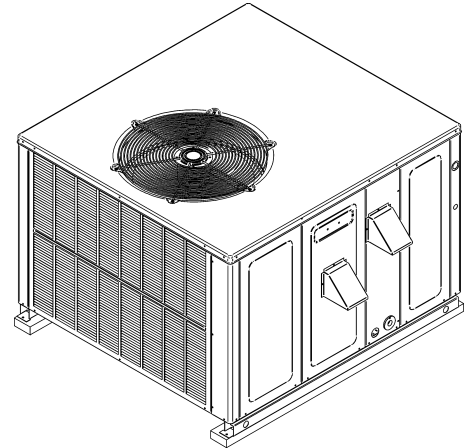




REPAIR PARTS

GPG14 Multi-Position Residential Package Gas Units

GPG1430040M41BA
GPG1430060M41BA
GPG1436040M41BA
GPG1436060M41BA
GPG1436080M41BA



This manual is to be used by qualified technicians only.

This manual replaces RP-G3016.

© 2016 , 2018 Goodman Manufacturing Company, L.P. ♦ 5151 San Felipe St, Suite 500 ♦ Houston, TX 77056

Important Information

Index

Functional Parts List	3
Illustration and Parts	4 - 15

Views shown are for parts illustrations only, not servicing procedures.

Text Codes:

AR - As Required

NA - Not Available

NS - Not Shown

00000000 - See Note

QTY - Quantity Example (QTY 3) (If Quantity not shown, Quantity = 1)

M - Model Example (M1) (If M Code not shown, then part is used on all Models)

Expanded Model Nomenclature:

Example M1 - Model#1 M2 - Model#2 M3 - Model#3

Goodman Manufacturing Company, L.P. is not responsible for personal injury or property damage resulting from improper service. Review all service information before beginning repairs.

Warranty service must be performed by an authorized technician, using authorized factory parts. If service is required after the warranty expires, Goodman Manufacturing Company, L.P. also recommends contacting an authorized technician and using authorized factory parts.

Goodman Manufacturing Company, L.P. reserves the right to discontinue, or change at any time, specifications or designs without notice or without incurring obligations.

For assistance within the U.S.A. contact:
Homeowner Support
Goodman Manufacturing Company, L.P.
19001 Kermier Road
Waller, Texas 77484
877-254-4729-Telephone
713-863-2382-Facsimile

For assistance outside the U.S.A. contact:
International Division
Goodman Manufacturing Company, L.P.
19001 Kermier Road
Waller, Texas 77484
713-861-2500-Telephone
713-863-2382-Facsimile

Functional Parts

Part

No: **Description:**

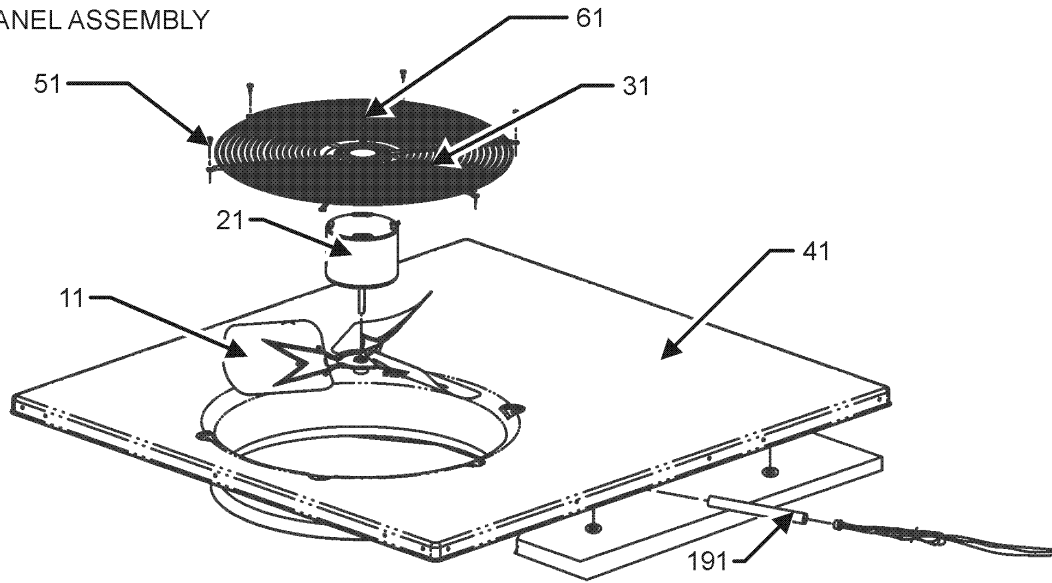
50N6229V-ZAKM	2.5 TON RECHI COMPR. 4 LEGS (M1, M2)
B1370751	24V RELAY
55N732GT-ZAKM	3 TON RECHI COMP, 4 LEGS (M3, M4, M5)
20269903	AUXILIARY LIMIT, AUTO RESET
0163F00017	BECKETT BURNER (QTY 2)
0131G00000P	BLOWER-ID
CAP050400440CT	CAP, 5/40 MFD/440V/DUAL RD (M3, M4, M5)
CAP050500440CT	CAP, 5/50 MFD/440V/DUAL RD (M1, M2)
CONT1P025024V	CONTACTOR 25 AMP, 1P, 24V
0150G00002	FAN BLADE SWP/W
0130F00010	FLAME SENSOR
B1282628	GAS VALVE (36G)
0130M00074	HIGH PRESSURE SWITCH
PCBAG123	IGNITION BOARD, DSI INTEGRATED
0130F00014	IGNITOR
10728342	LIMIT SWITCH
10123532	MANUAL RESET LIMIT 350°F
0131M00847	MOTOR, 1/4 HP, 1 SP, 6 PL (M1, M2)
0131M00836	MOTOR, 1/4HP,1SP,8PL,AL (M3, M4, M5)
11112501	PRESSURE SWITCH
0131G00012	PROGRAMMED MOTOR (M3, M4, M5)
0131G00011	PROGRAMMED MOTOR (M1, M2)
0130M00138	TRANSFORMER, 208/230, 24V
DY6.186.070	VENT MOTOR CAPACITOR
B1368016	WHEEL, BLOWER, 10X8 (M1, M2)
D6723303	WHEEL-BLOWER (M3, M4, M5)

Expanded Model Nomenclature

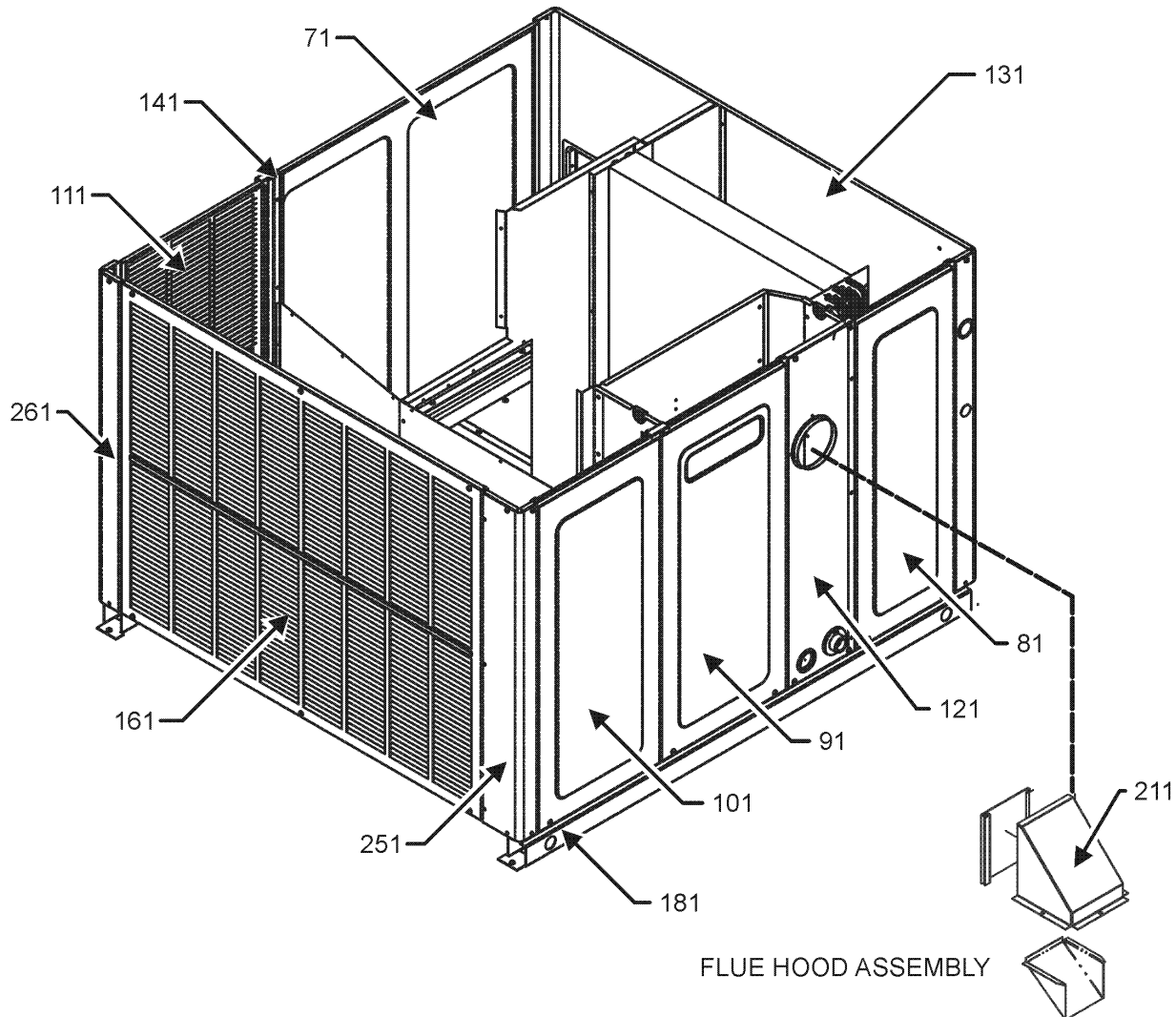
M1 - GPG1430040M41BA
M2 - GPG1430060M41BA
M3 - GPG1436040M41BA
M4 - GPG1436060M41BA
M5 - GPG1436080M41BA

Top panel and Cabinet Assembly

TOP PANEL ASSEMBLY



CABINET ASSEMBLY



FLUE HOOD ASSEMBLY

Top panel and Cabinet Assembly

Ref. Part No:	Part No:	Description:	Ref. Part No:	Part No:	Description:
---------------	----------	--------------	---------------	----------	--------------

Image 1:

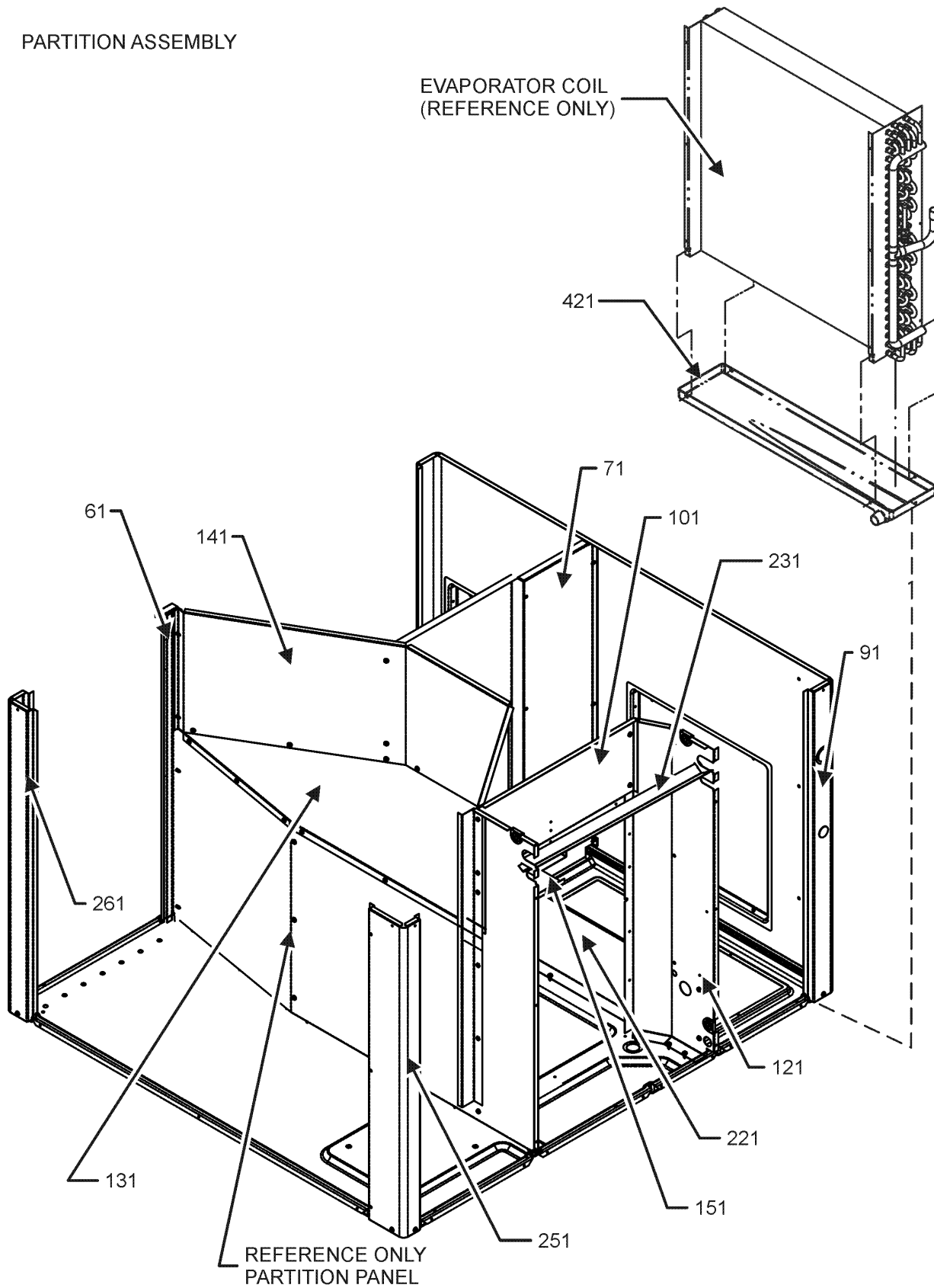
11	0150G00002	FAN BLADE SWP/W			
21	0131M00847	MOTOR, 1/4 HP, 1 SP, 6 PL (M1, M2)			
21	0131M00836	MOTOR, 1/4HP,1SP,8PL,AL (M3, M4, M5)			
31	0152G00000	FAN GRILLE, RAISED (M1, M2)			
31	0152G00003	GRILLE-FAN (M3, M4, M5)			
41	0121G00156PDG	TOP PANEL			
51	M0221817	SMALL SCREW (QTY 2)			
61	0163M00006P	ACORN NUT 5/16 HEX BLACK (QTY 4)			
71	20464801PDG	BLOWER DOOR 32"			
81	20464802PDG	EVAP/CONTROL DOOR-32			
91	0121G00526DG	HEAT EXCHANGER DOOR 32"			
101	20464804PDG	COMPRESSOR DOOR-32			
111	20467701PDG	COND SIDE PANEL- 32 (M1, M2)			
111	0121G00465DG	PANEL-COND SIDE 32, PNT (M3, M4, M5)			
121	20466101PDG	UTILITY PANEL 32 W/PAINT			
131	0121G00802DG	PNL, DUCT, GAS 32.5" PNT			
141	0121G00460	POST-SUPPORT, SIDE			
161	0121G00728DG	PANEL-COND LOUVERED 32			
181	0121G00290	BASE PAN RAIL (QTY 2)			
191	17788000083F	PVC CONDUIT 8.25"			
211	0270G00500	FLUE HOOD ASSY			
251	20464201PDG	CORNER POST-COMP END 32" (M1, M2)			
251	0121G00453DG	CORNER-POST COMP END, PNT (M3, M4, M5)			
261	0121G00454DG	CORNER-POST HPIN END, PNT			

Expanded Model Nomenclature

- | |
|----------------------|
| M1 - GPG1430040M41BA |
| M2 - GPG1430060M41BA |
| M3 - GPG1436040M41BA |
| M4 - GPG1436060M41BA |
| M5 - GPG1436080M41BA |

Partition Assembly

PARTITION ASSEMBLY



Partition Assembly

Ref. Part No:	No:	Description:	Ref. Part No:	No:	Description:
---------------	-----	--------------	---------------	-----	--------------

Image 1:

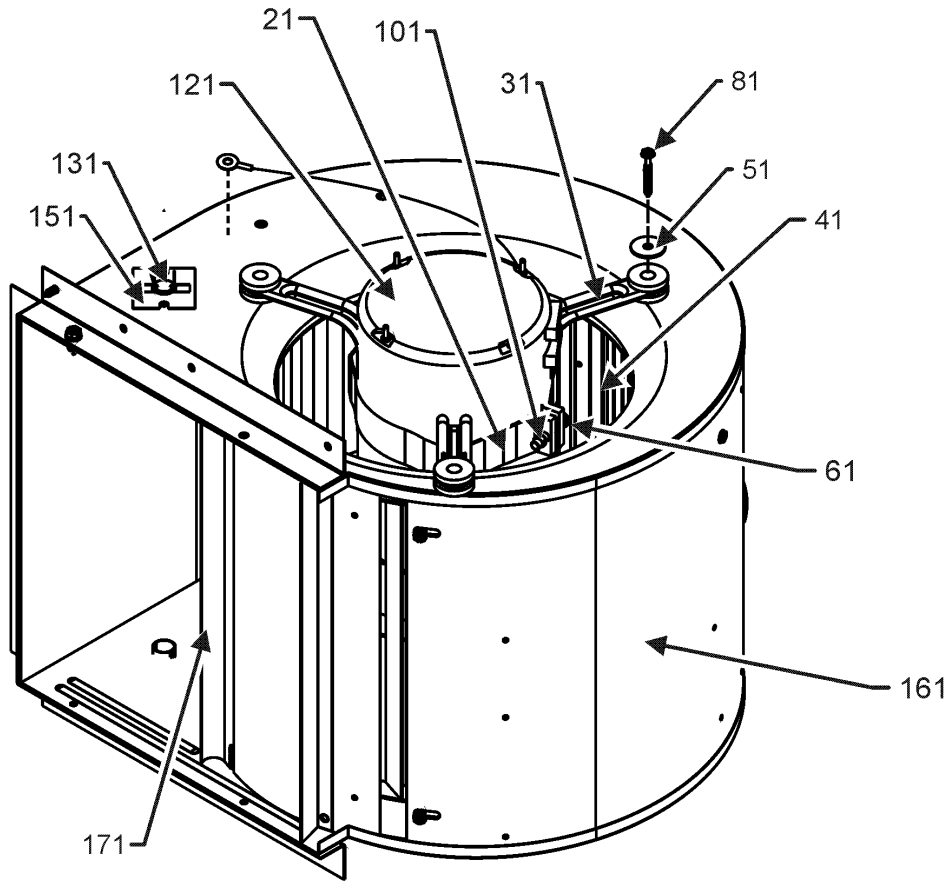
61	0121G00460	POST-SUPPORT, SIDE
71	20465305	DIVIDER-BLOWER (M1, M2)
71	20465304	DIVIDER-BLOWER 32 10X9 (M3, M4, M5)
91	0121G00802DG	PNL, DUCT, GAS 32.5" PNT
101	20465201	FILLER PANEL, HEAT EXCHANGER 32"
121	0121G00757	DIVIDER, EVAP/HT EXCH 32
121	0121G00757	DIVIDER, EVAP/HT EXCH 32
131	20465701	FAN PARTITION SHELF
141	20465801	FAN SURROUND 32"
151	20472501	SHIELD-HT TUBES
221	20463802	BLOCK-EVAP/BPAN 32
231	0121G00555	DRAIN CHANNEL, SUCTION TUBE
251	20464201PDG	CORNER POST-COMP END 32" (M1, M2)
251	0121G00453DG	CORNER-POST COMP END, PNT (M3, M4, M5)
261	0121G00454DG	CORNER-POST HPIN END, PNT
421	20464901DF	DRAIN PAN-EVAP COIL
NS	0128G00064	ALUM EVAP DRIP SHIELD

Expanded Model Nomenclature

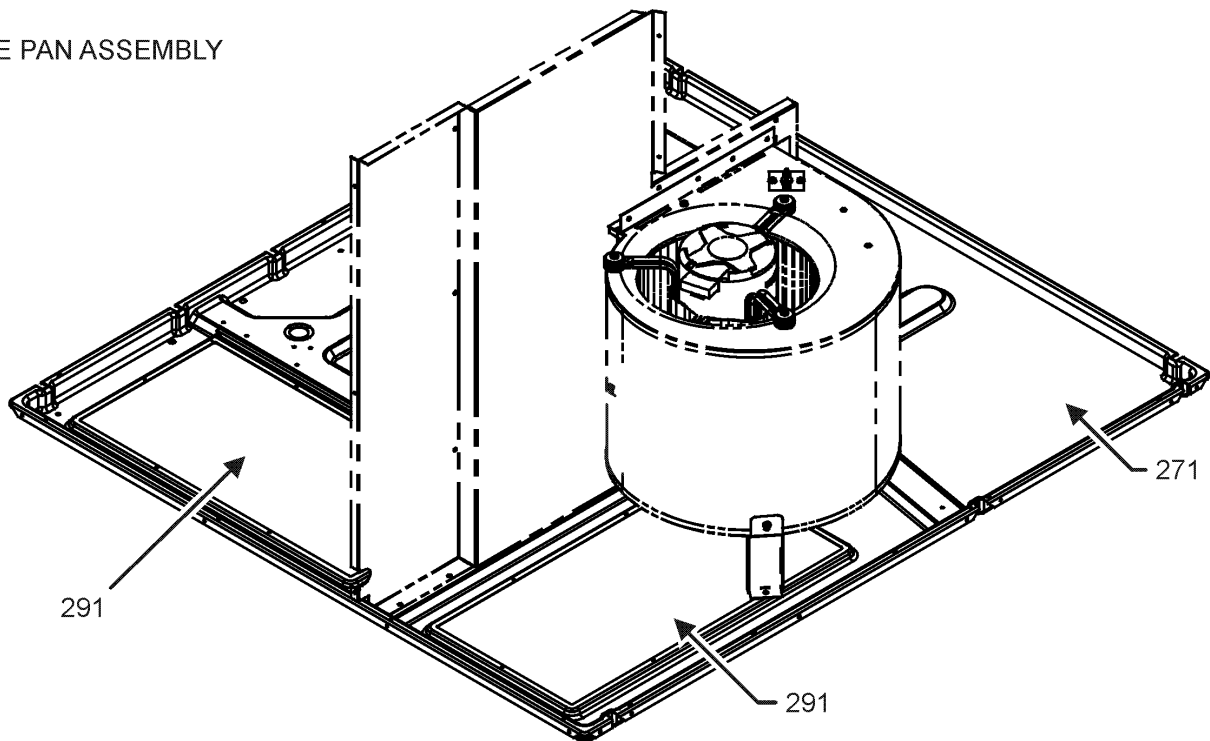
M1 - GPG1430040M41BA
M2 - GPG1430060M41BA
M3 - GPG1436040M41BA
M4 - GPG1436060M41BA
M5 - GPG1436080M41BA

Blower and Base Pan Assembly

BLOWER ASSEMBLY



BASE PAN ASSEMBLY



Blower and Base Pan Assembly

Ref. Part No:	No:	Description:	Ref. Part No:	No:	Description:
---------------	-----	--------------	---------------	-----	--------------

Image 1:

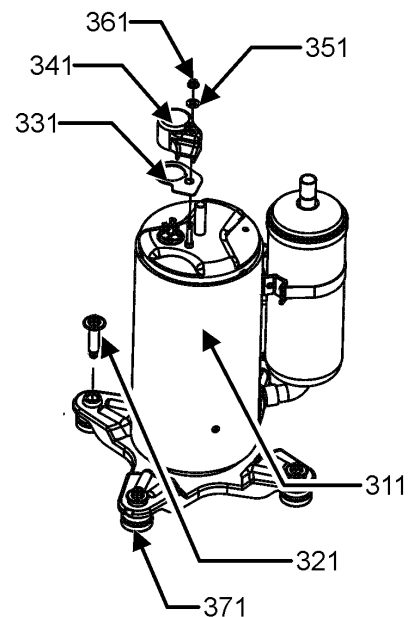
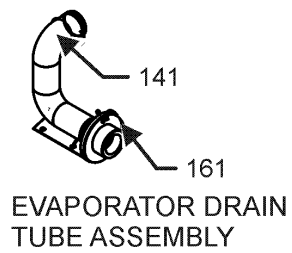
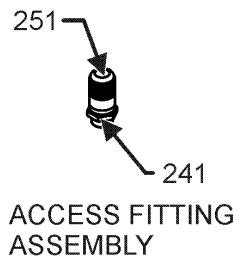
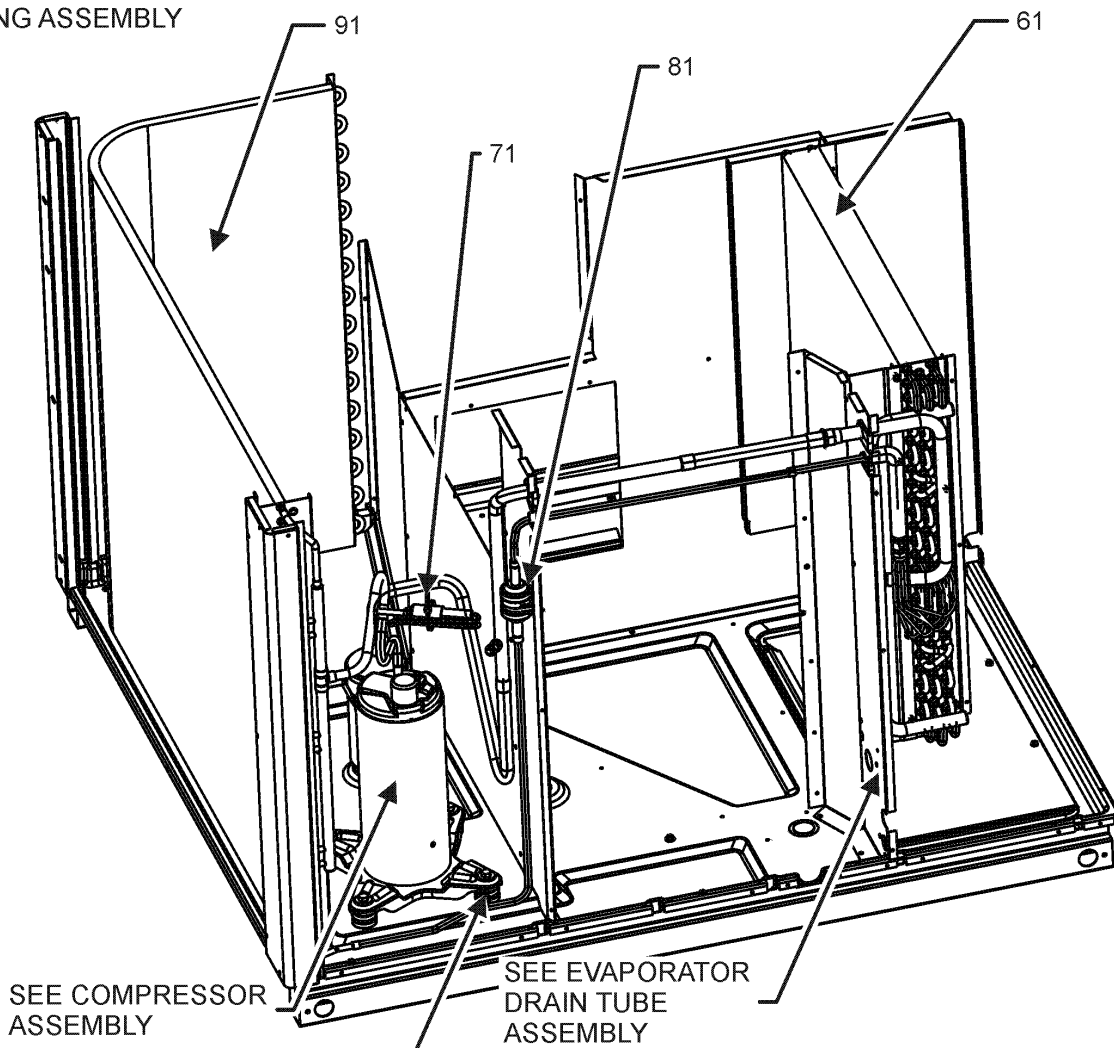
21	0121M00038	MOTOR MOUNT BAND
31	B1376857	MOTOR MOUNT ARM (QTY 3)
41	B1368016	WHEEL, BLOWER, 10X8 (M1, M2)
41	D6723303	WHEEL-BLOWER (M3, M4, M5)
51	B1392918	WASHER FLAT 1/4 ID X 1 OD (QTY 3)
61	B1393323	SCREW,MACHI HWH 1/4-20X1 1/2 BZ
81	M0250565	TC SCREW 1.25" (QTY 3)
101	B1393800	LOCKNUT, NYLON, INSERT 1/4, 20
121	0131G00011	PROGRAMMED MOTOR (M1, M2)
121	0131G00012	PROGRAMMED MOTOR (M3, M4, M5)
131	20269903	AUXILIARY LIMIT, AUTO RESET
151	2509503	BRACKET F/ROLLOUT SWUT SWITCH
161	0271G00025	BLOWER HOUSING ASSY 10 X 8 (M1, M2)
171	764742	BLOCK OFF - BLOWER (M3, M4, M5)
171	764740	BLWR BLK-OFF, 10X8 (M1, M2)
271	0121G00444	BASEPAN, PACKAGE
291	0121G00148	SINGLE COVER, DOWN DISCHARGE (QTY 2)
NS	0259G00209	BLOWER HARNESS

Expanded Model Nomenclature

M1 - GPG1430040M41BA
M2 - GPG1430060M41BA
M3 - GPG1436040M41BA
M4 - GPG1436060M41BA
M5 - GPG1436080M41BA

Tubing and Compressor Assembly

TUBING ASSEMBLY



Tubing and Compressor Assembly

Ref. Part No:	Ref. Part No:	Description:	Description:
---------------	---------------	--------------	--------------

Image 1:

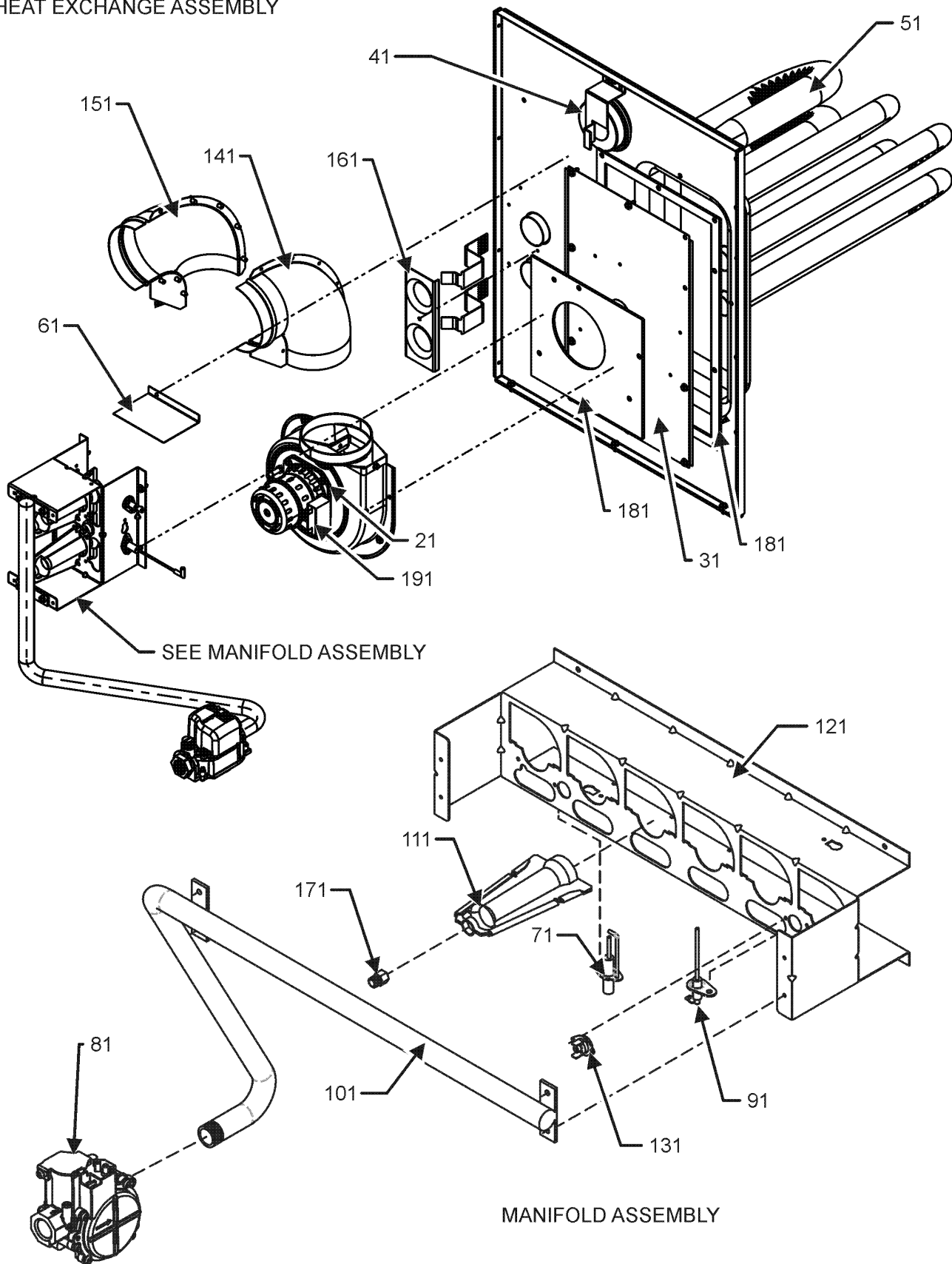
61	0202G00566	COIL TUBING ASSY (M1, M2)
61	0202G00567	COIL TUBING ASSY (M3, M4, M5)
71	0130M00074	HIGH PRESSURE SWITCH
81	B1219212	SINGLE-FLOW FILTER DRIER, STEEL
91	0201G00142	COND COIL TUBING ASSY (M1, M2)
91	0201G00249	CONDENSER COIL ASSY (M3, M4, M5)
141	20498302	DRAIN TUBE 32"
161	20513001	EVAP DRAIN FITTING
241	B1373315	ACCESS FITTING (QTY 2)
251	0163M00175	CAP WITH O-RING (QTY 2)
311	50N6229V-ZAKM	2.5 TON RECHI COMPR. 4 LEGS (M1, M2)
311	55N732GT-ZAKM	3 TON RECHI COMP, 4 LEGS (M3, M4, M5)
321	0163M00186	TF SHOULDER SCREW (QTY 4)
331	60100107	TERMINAL COVER GASKET
341	60100317	TERMINAL COVER
351	60100201	WASHER - RECHI COMPRESSOR
361	60100401	TERMINAL NUT - RECHI COMP
371	60140209	GROMMET - RECHI COMPRESSOR (M1, M2)
371	60160414	GROMMET, RECHI COMP (M3, M4, M5)
NS	B1810011	HOSE CLAMP 1.25 (QTY 2)

Expanded Model Nomenclature

M1 - GPG1430040M41BA
M2 - GPG1430060M41BA
M3 - GPG1436040M41BA
M4 - GPG1436060M41BA
M5 - GPG1436080M41BA

Heat Exchange Assembly

HEAT EXCHANGE ASSEMBLY



Heat Exchange Assembly

Ref. Part No:	Part No:	Description:	Ref. Part No:	Part No:	Description:
---------------	----------	--------------	---------------	----------	--------------

Image 1:

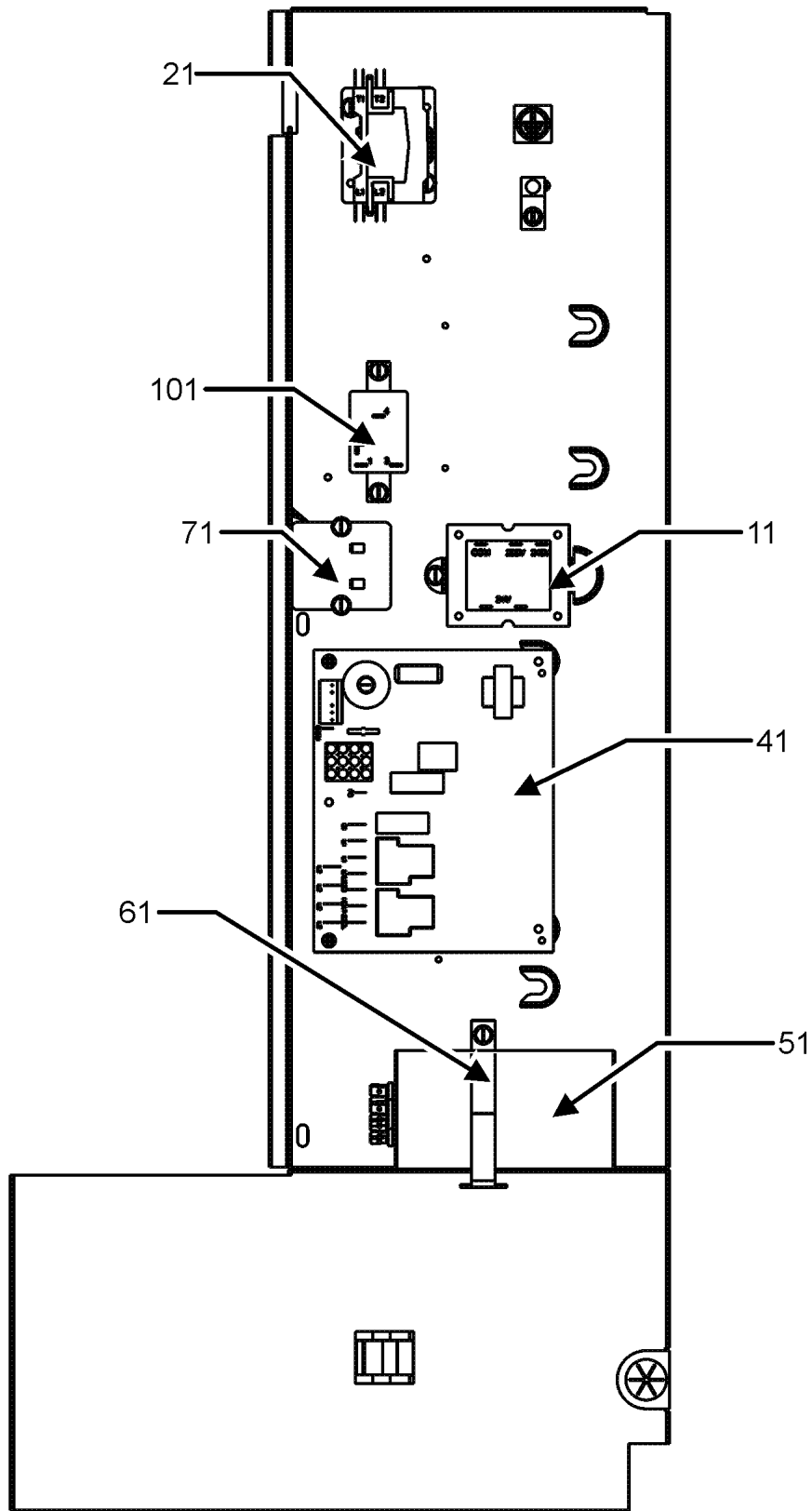
21	0131G00000P	BLOWER-ID
31	0121G00739	PLATE-ID BLOWER (M1, M3)
31	0121G00740	PLATE-ID BLOWER (M2, M4)
31	0121G00741	PLATE-ID BLOWER (M5)
41	11112501	PRESSURE SWITCH
51	20490714	ASSY, PART/TUBE (M1, M3)
51	20490707	PART/TUBE ASSY 3B (M2, M4)
51	20490703	PART/TUBE ASSY 4B (M5)
61	11190202	DEFLECTOR- HEAT PKG
71	0130F00014	IGNITOR
81	B1282628	GAS VALVE (36G)
91	0130F00010	FLAME SENSOR
101	20493103	MANIFOLD- 3 BRNR 32 (M2, M4)
101	20493104	MANIFOLD- 4 BRNR 32 (M5)
101	0121M00035P	MANIFOLD-2 BURNER (M1, M3)
111	0163F00017	BECKETT BURNER (QTY 2)
121	0121L02164	BRKT-BURNER 3B FUR (M2, M4)
121	20190410	BURNER BRACKET 2B (M1, M3)
121	20190412	BURNER BRACKET 4B (M5)
131	10123532	MANUAL RESET LIMIT 350°F
141	20484401	FLUE ELBOW LEFT
151	20484402	FLUE ELBOW RIGHT
161	11072201	ORIFICE SHIELD (M1, M3)
161	11072202	ORIFICE SHIELD (M2, M4)
161	11072203	ORIFICE SHIELD (M5)
171	10716005	ORIFICE (QTY 2)
181	0154G00020	GASKET-ID BLOWER & PLATE
191	DY6.186.070	VENT MOTOR CAPACITOR

Expanded Model Nomenclature

- | |
|----------------------|
| M1 - GPG1430040M41BA |
| M2 - GPG1430060M41BA |
| M3 - GPG1436040M41BA |
| M4 - GPG1436060M41BA |
| M5 - GPG1436080M41BA |

Control Panel Assembly

CONTROL PANEL ASSEMBLY



Control Panel Assembly

Ref. Part**No: No:****Description:****Ref. Part****No: No:****Description:**

Image 1:

11	0130M00138	TRANSFORMER, 208/230, 24V
21	CONT1P025024V	CONTACTOR 25 AMP, 1P, 24V
41	PCBAG123	IGNITION BOARD, DSI INTEGRATED
51	CAP050400440CT	CAP, 5/40 MFD/440V/DUAL RD (M3, M4, M5)
51	CAP050500440CT	CAP, 5/50 MFD/440V/DUAL RD (M1, M2)
61	20520901	CAPACITOR STRAP
71	10728342	LIMIT SWITCH
101	B1370751	24V RELAY
NS	0259G00209	BLOWER-HARNESS, SM
NS	0259G00209	BLOWER-HARNESS, SM
NS	0259G00207	CONTROL HARNESS, SM
NS	0259G00207	HARNESS-CONTROL, FAN

Expanded Model Nomenclature

M1 - GPG1430040M41BA
M2 - GPG1430060M41BA
M3 - GPG1436040M41BA
M4 - GPG1436060M41BA
M5 - GPG1436080M41BA